

Create your own masterpiece System pro *E* comfort MISTRAL65

The new System pro *E* comfort MISTRAL65 series of consumer units gives you the freedom and flexibility to install almost any kind of electrical distribution system in industrial, commercial or residential environments. These IP65-rated units have been designed from scratch to enhance the unique features you expect from ABB in terms of versatility, efficiency and safety.

Everything about the new System pro *E* comfort MISTRAL65 series has been designed to make installation easier, allowing you to set up high-quality consumer units that look great anywhere.





A point of reference.
For simplicity and
effectiveness.

Endless installation possibilities

Door opens up to 180° allowing full access to the interior of the unit.

Door available in two versions: petrol blue and opaque.

Concealed rear mounts for secure wall installation.

The symmetrical design allows opening of the reversible door either from the left or from the right.

Endless installation possibilities

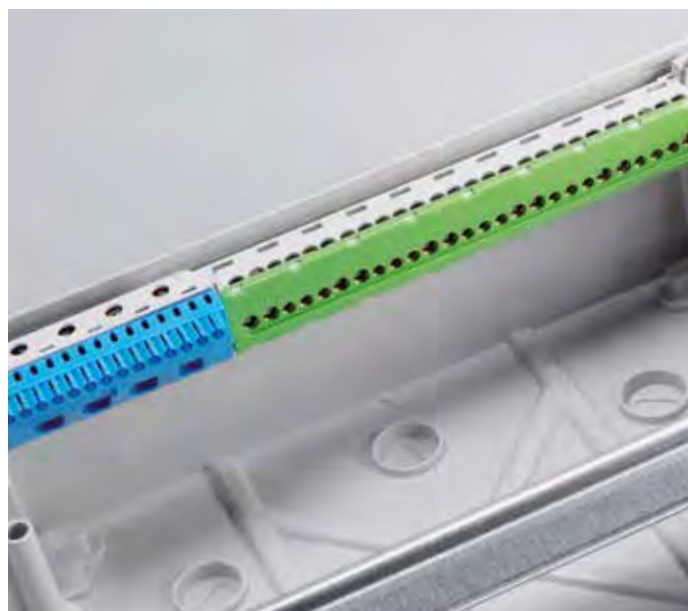
Invisible cable entry and exit

As well as side knockouts for cable entry and exit, units can be supplied with cable entries and exits at both the top and the bottom.



More internal space

Internal spaces have been created to make cabling even easier, with cable clips and holes for fastening wires to the frame with simple cable ties.



Easy installation of extra modules

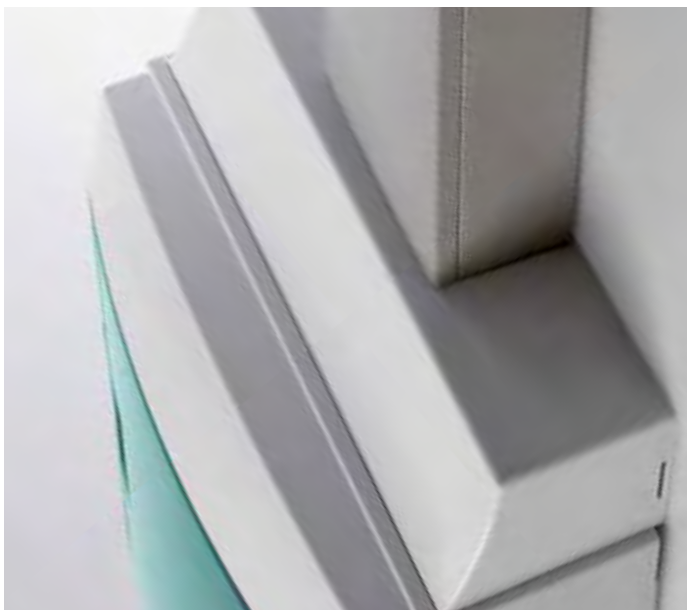
Additional modules can be installed by removing two pre-trimmed elements. This offers an easy and tidy solution when there are unforeseen installation requirements.

New generation terminals

The new System pro *E* comfort MISTRAL® range of consumer units is amended with a wide, completely new ABB terminal blocks. To different versions offer screw and spring fast coupling for easy and effective cabling up to 63A or 100A.

Protected trunking entry

The new polycarbonate accessory for trunking entry can be positioned at the top or bottom of the consumer unit, connecting and protecting the conductor bundles. A series of internal knockouts allows it to house any type of trunking.



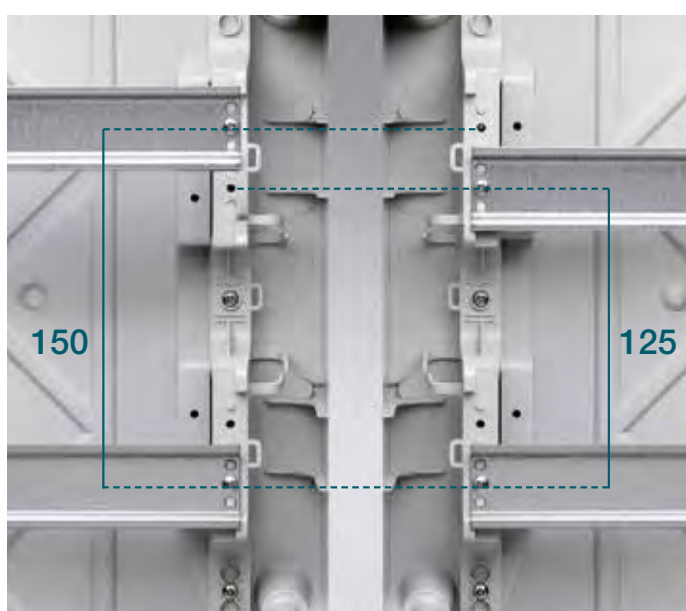
Aesthetically clean installation

Interior slots allow the unit to be fixed to the wall at points that cannot be seen from the outside, making for an aesthetically clean installation. Special snap-in closure plugs guarantee class II protection (double insulation).



Optional door lock

The standard door with ergonomic handle and snap-on closure can be supplied with a lock and key on request. This ensures only authorised people have access and prevents tampering or incorrect operation.

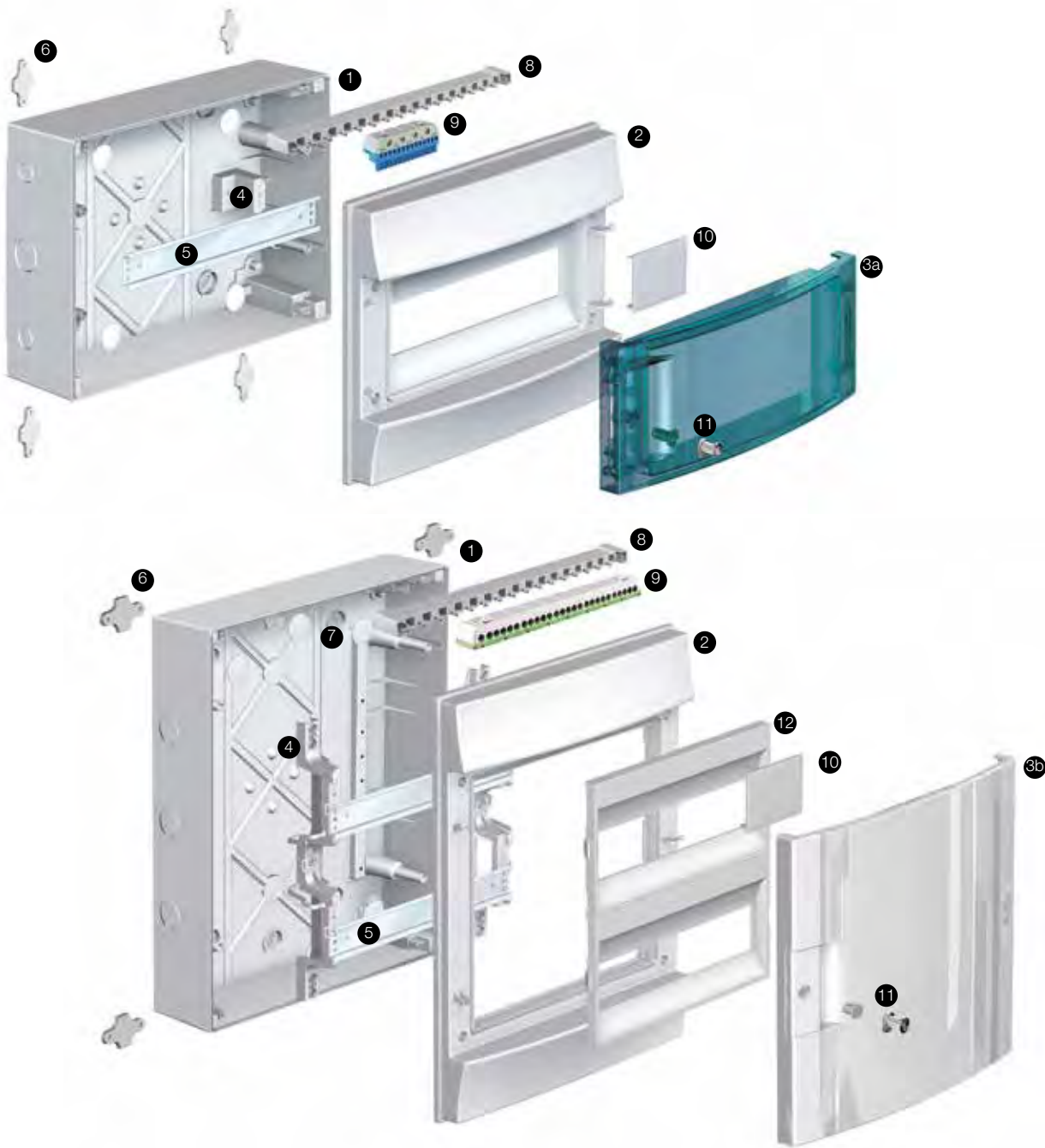


Variable distance between DIN rails

To create space at the top or bottom of the consumer unit, the central distance between the DIN rails can be modified from the standard 150 mm to 125 mm. The front panel can be removed, reversed and re-installed with a simple click.

A versatile range suitable for every application

The System pro *E* comfort MISTRAL65 series' simple construction makes the units fast and easy to assemble. What's more, their flexible design means they can be easily adapted to countless application requirements.



- | | | |
|----------------------------------------------------|-------------------------------|-----------------------------------------------------------|
| 1. Box for wall mounting | 5. DIN rail | 10. Module cover |
| 2. Reversible front panel | 6. Wall fastening brackets | 11. Finish or closure elements
(lock and key optional) |
| 3. a) Transparent door
b) Opaque door, RAL 7035 | 7. Plugs, protection class II | 12. Reversible panels |
| 4. Fixed support for DIN rail | 8. Jumper for terminals | |
| | 9. Quick-coupling terminals | |



Horizontal coupling

The consumer units can be installed side by side, with cable gland accessories protecting the conductors' path between adjacent units.

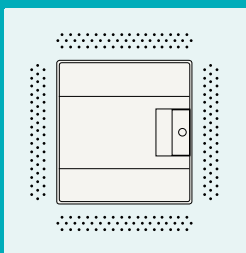


Blind panels for small automation application

Accessories include blind panels and base plates allowing the installation of other types of devices, in addition to modular DIN rail products, like contactors, motor starters or devices on the front of the panel.

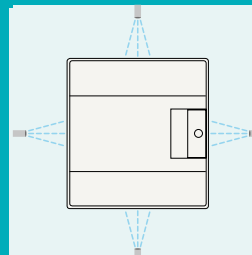
Ingress protection rating IP65

First number: 6



- Total protection against dust

Second number: 5

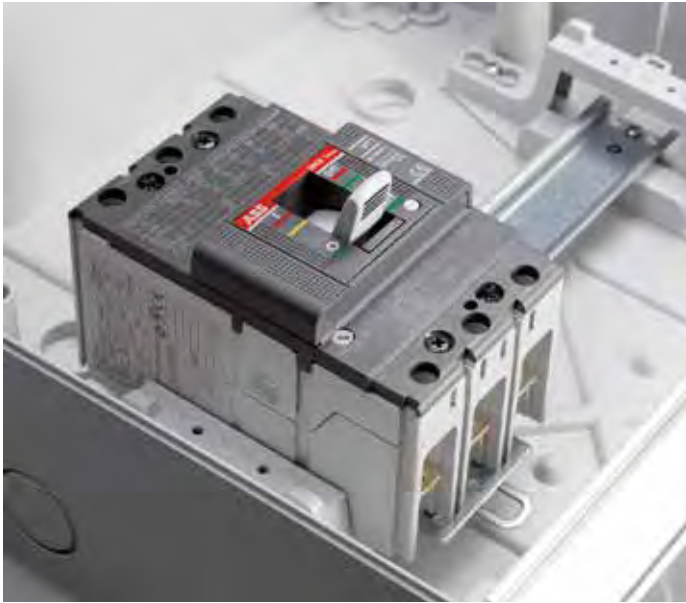


- Projection against water jets. Water projected by a nozzle (6.3 mm) against enclosure from any direction shall have no harmful effects.

A point of contact with the world of ABB Fully compatible with a wide range of ABB products

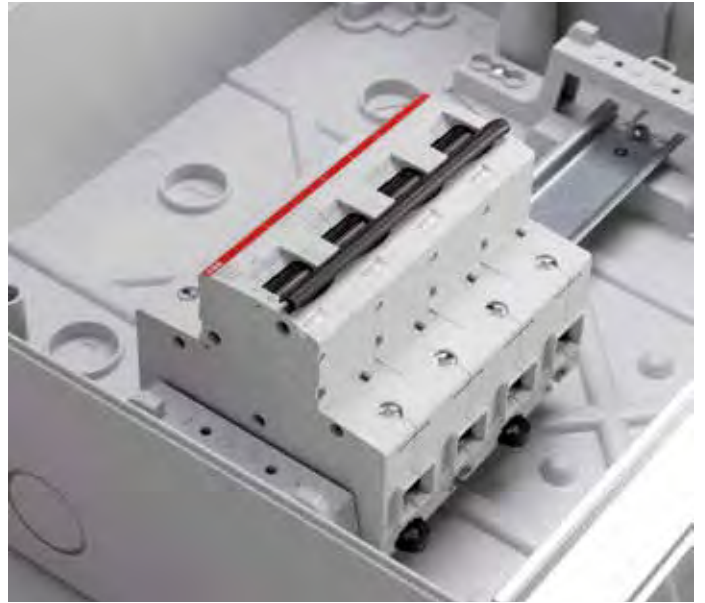
The new System pro *E* comfort MISTRAL65 series is designed to deliver a comprehensive range of IP65-rated consumer units with different functions and dimensions. The series is fully compatible with a unified range of ABB products. As a result, terminal blocks, circuit breakers, switches, surge protective devices and many other components can be installed for a wide variety of applications.





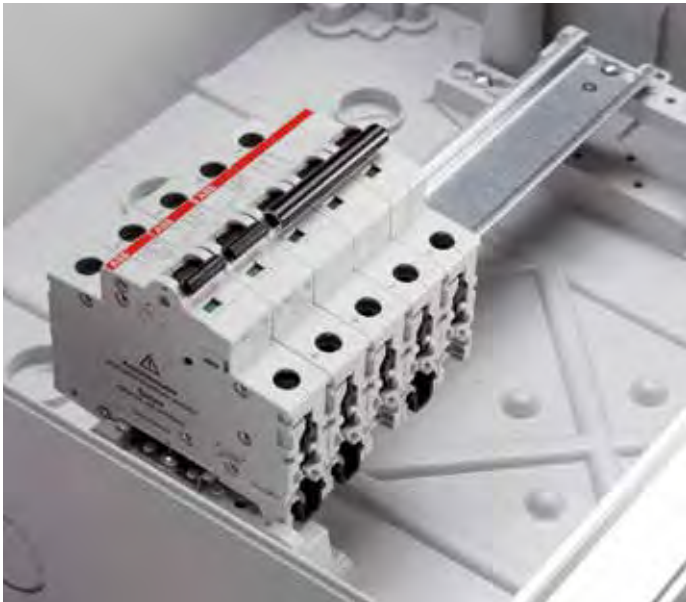
Two DIN positions

The frame has two DIN rail positions so accessories of different depths, like MCCBs, can be installed in perfect alignment.



Easy installation of non-standard devices

The flexibility of the frame allows easy installation of devices with above-standard depth like high-performance MCCBs.



Compatible with standard modular devices

The first depth allows the installation of standard products. These include most modular devices currently on the market.



Non-modular equipment

Accessories like blind panels and base plates enable the installation of other types of devices, in addition to modular DIN products, on the front of the panel. These include control buttons and indicator lights.