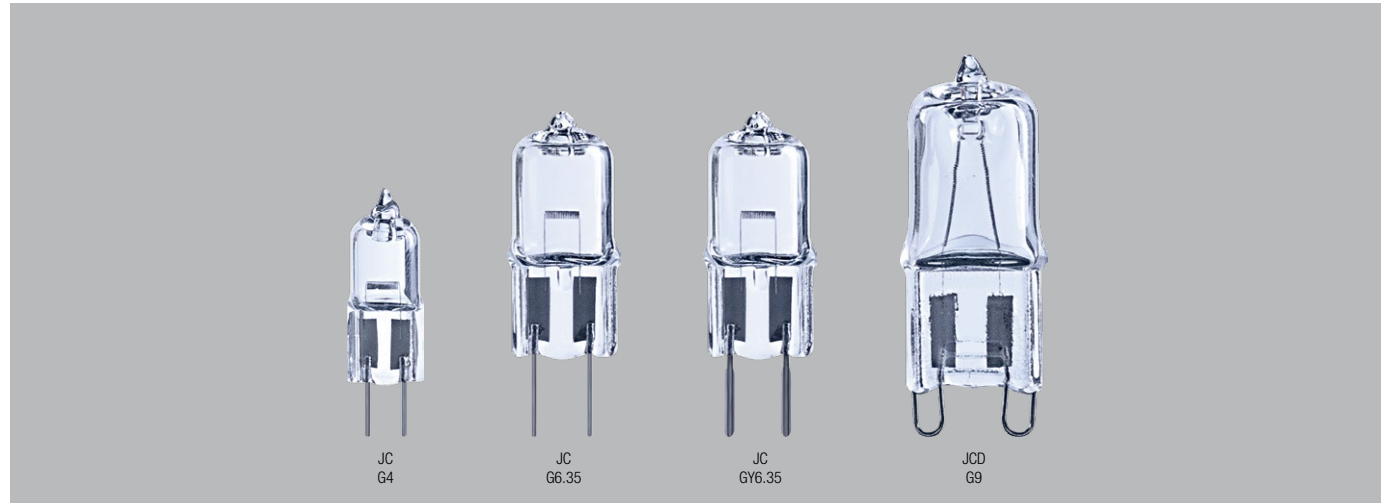




Halogen Capsule series

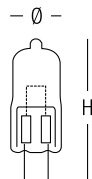
Technical Advantages

- Long lifespan
- High luminous efficacy
- High lumen maintenance over 85%
- High energy efficiency
- High colour rendering (Ra=100)
- Mercury free
- Optional Clear / Frosted Bulb

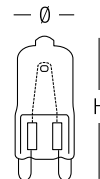


Model No.	Energy Class	Lumen	Wattage	Lifetime	Voltage	Dimmable	Base
JC	C	33 lm	5W	2000 hrs	12V	Yes	G4
	B	96 lm	7W				
	C	130 lm	10W				
		168 lm	14W				
	C	255 lm	20W	2000 hrs	12V	Yes	G4 G6.35 GY6.35
		346 lm	25W				
		400 lm	28W				
		556 lm	35W				
	C	630 lm	40W	2000 hrs	12V	Yes	G6.35 GY6.35
		835 lm	50W				

Model No.	Energy Class	Lumen	Wattage	Lifetime	Voltage	Dimmable	Base
JCD	D	205 lm	18W	2000 hrs	220~ 240V	Yes	G9
		235 lm	20W				
		370 lm	28W				
		410 lm	30W				
		460 lm	33W				
		590 lm	40W				
		625 lm	42W				
		702 lm	46W				



JC	
G4	Ø8 x 30H mm
G6.35	Ø10 x 40H mm
GY6.35	Ø10 x 40H mm



JCD	
G9	Ø12.8 x 41H mm

CE RoHS REACH ErP

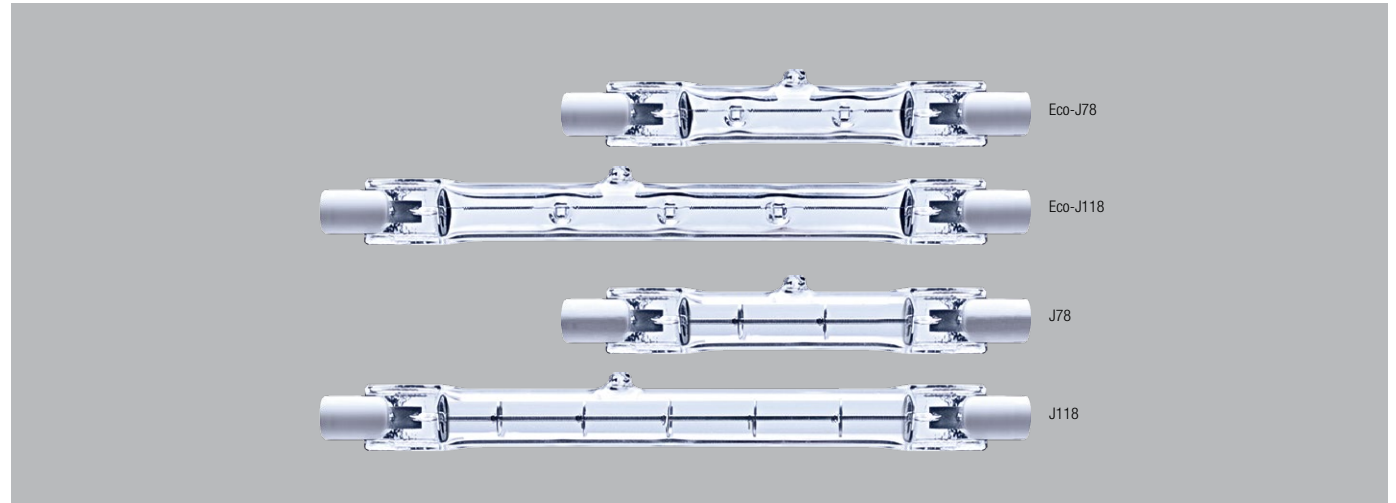
Tolerance of product dimension Length ± 2mm / Diameter ± 0.5mm



Halogen J Linear series

Technical Advantages

- Long lifespan
- High luminous efficacy
- High lumen maintenance over 85%
- High energy efficiency
- High colour rendering (Ra=100)
- Mercury free
- Sturdy filament construction

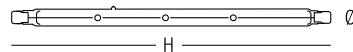


Model No.	Energy Class	Lumen	Wattage	Lifetime	Voltage	Dimmable	Base
ECO-J78	C	1380 lm	80W	2000 hrs	220~240V	Yes	R7S
		2220 lm	120W				
ECO-J118	C	2220 lm	120W	2000 hrs	220~240V	Yes	R7S
		3090 lm	160W				
		4650 lm	230W				
		8550 lm	400W				

Model No.	Energy Class	Lumen	Wattage	Lifetime	Voltage	Dimmable	Base
J78	D	980 lm	60W	2000 hrs	220~240V	Yes	R7S
		1800 lm	100W				
J118	E	4500 lm	300W	2000 hrs	220-240V	Yes	R7s
		8750 lm	500W				



Tolerance of product dimension Length ± 2mm / Diameter ± 0.5mm



ECO-J78mm	
R7S	Ø8 x 78H mm
ECO-J118mm	
R7S	Ø10 x 118H mm

J78mm	
R7S	Ø8 x 78H mm
J118mm	
R7S	Ø10 x 118H mm



Halogen Dichroic series

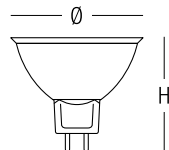
Technical Advantages

- Long lifespan
- High luminous efficacy
- High lumen maintenance over 80%
- High energy efficiency
- High colour rendering (Ra=100)
- Mercury free



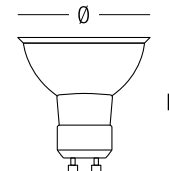
Model No.	Energy Class	Lumen	Intensity	Wattage	Lifetime	Voltage	Beam Angle	Dim-mable	Base
ECO-MR11	B	201 lm	700 cd	20W	2000 hrs	12V	30°	Yes	GU4
		427 lm	1000 cd	35W					
		675 lm	1500 cd	50W					
ECO-MR16	B	174 lm	400 cd	18W	2000 hrs	12V	38°	Yes	GU5.3
		201 lm	600 cd	20W					
		320 lm	730 cd	28W					
		427 lm	900 cd	35W					
		540 lm	1300 cd	42W					
		675 lm	1500 cd	50W					
ECO-JCDR	D	200 lm	560 cd	28W	2000 hrs	220~240V	38°	Yes	GU10
		300 lm	800 cd	40W					
		310 lm	800 cd	42W					

Model No.	Energy Class	Lumen	Intensity	Wattage	Lifetime	Voltage	Beam Angle	Dim-mable	Base
MR11	C	65 lm	150 cd	10W	2000 hrs	12V	30°	Yes	GU4
		160 lm	500 cd	20W					
		315 lm	650 cd	35W					
MR16	C	180 lm	400 cd	20W	2000 hrs	12V	38°	Yes	GU5.3
		315 lm	730 cd	35W					
		450 lm	1000 cd	50W					
		315 lm	730 cd	35W					
JCDR	D	90 lm	350 cd	20W	2000 hrs	220~240V	38°	Yes	GU10
		200 lm	560 cd	35W					
		300 lm	800 cd	50W					



ECO-MR11	
GU4	Ø35 x 34H mm
ECO-MR16	
GU5.3	Ø50 x 45H mm

MR11	
GU4	Ø35 x 34H mm
MR16	
GU5.3	Ø50 x 45H mm



ECO-JCDR	
GU10	Ø50 x 53H mm
JCDR	
GU10	Ø50 x 53H mm

CE RoHS REACH ErP

Tolerance of product dimension Length ± 2mm / Diameter ± 0.5mm



Halogen PAR series

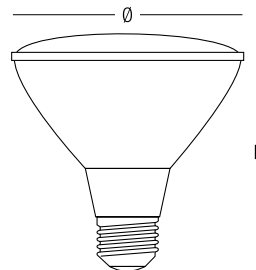
Technical Advantages

- Long lifespan
- High luminous efficacy
- High lumen maintenance
- High colour rendering (Ra=100)
- Mercury free
- Optional colours available



Model No.	Energy Class	Lumen	Intensity	Wattage	Lifetime	Voltage	Dim-mable	Base
PAR20	E	550 lm	1000 cd	50W	1500 hrs	220~240V	Yes	E27
		825 lm	1200 cd	75W				
		1100 lm	1400 cd	100W				
PAR30	E	630 lm	1000 cd	50W	1500 hrs	220~240V	Yes	E27
		975 lm	1200 cd	75W				
		1300 lm	1400 cd	100W				
		1950 lm	3000 cd	150W				

Model No.	Energy Class	Lumen	Intensity	Wattage	Lifetime	Voltage	Dim-mable	Base
PAR38	E	1125 lm	1200 cd	75W	1500 hrs	220~240V	Yes	E27
		1500 lm	1400 cd	100W				
		2250 lm	3000 cd	150W				



PAR20	
E27	Ø65 x 82H mm
PAR30	
E27	Ø96 x 91H mm
PAR38	
E27	Ø123 x 132H mm

CE RoHS REACH ErP

Tolerance of product dimension Length ± 2mm / Diameter ± 0.5mm